



PREMIER
COPPER PRODUCTS

MODEL NUMBER: HV-EUROTERRA36-G2036BP1-TW

DESCRIPTION: 36" Terra Firma Copper Wall Mounted EuroTerra
Range Hood with 1250 CFM Stainless Steel Insert

OUTER DIMENSION: 36" x 24" x 36"

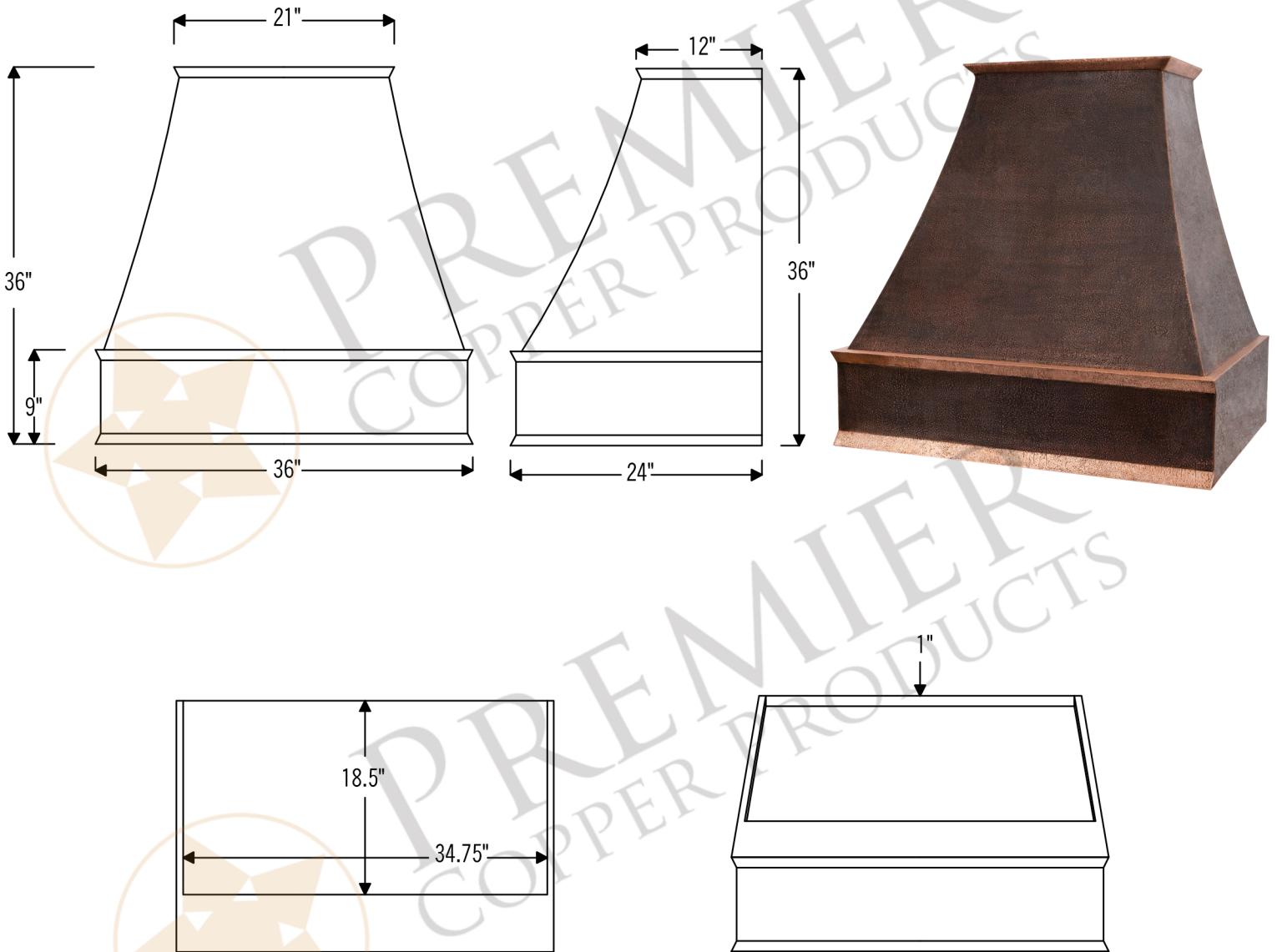
TOP DIMENSION: 21" x 12"

BOTTOM DIMENSION: 36" x 24"

BOTTOM OPENING: 34.75" x 18.5"

FINISH: Living Copper / Oil Rubbed Bronze

TEXTURE: Terra Firma



THIS PRODUCTS IS HAND CRAFTED, SMALL VARIANCES IN COLOR AND SIZE MAY OCCUR.
DO NOT MAKE ANY INSTALLATION CUTS UNTIL YOU RECEIVE YOUR ITEM(S).



Description: 36" Terra Firma Copper Wall Mounted EuroTerra
Range Hood with 1250 CFM Stainless Steel Insert

Insert Model Number: C2036BP1-TW

Insert Description: 1250 CFM, 1.5 -4.6 Sones, Variable Controls,
Twin Centrifugal Blowers, Aluminum Mesh Filters

Insert Duct: **Two** 7" Round Vent Opening

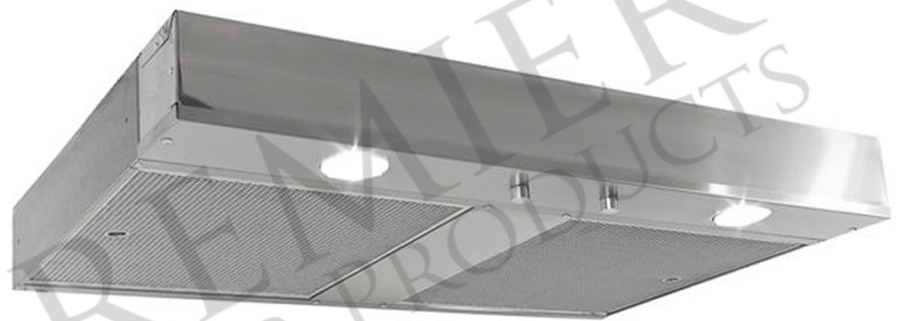
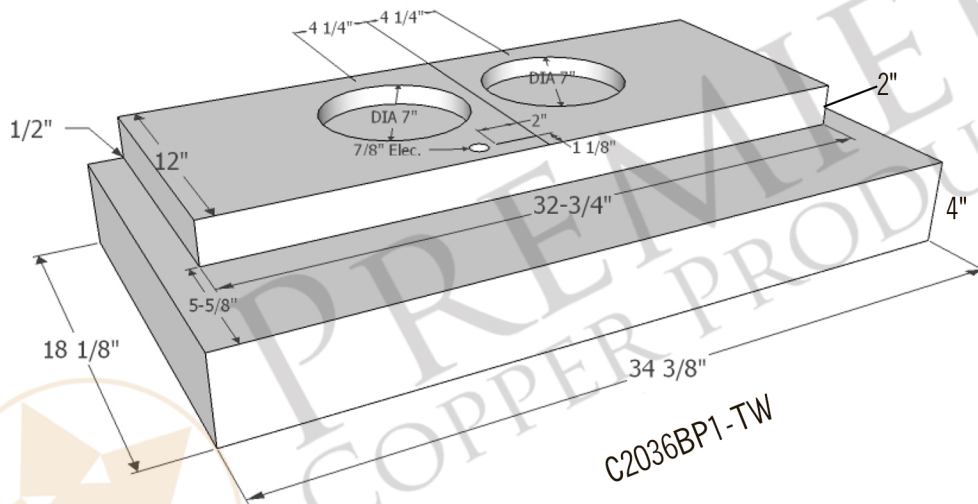
Insert Lighting: Front Panel LED Lights Included

Filter: Aluminum Mesh Filter

Insert Finish: Stainless Steel



POWERED LINER SPECIFICATIONS



SEVEN YEAR, IN HOME, LIMITED WARRANTY ON INSERT, THE BEST IN THE INDUSTRY!

Please visit ImperialHoods.com to view the details on their warranty

All dimensions on inserts are (+/-) 1/8" and are subject to change. Drawings are not to scale.