

ROLLS 4830 Wall Mirror - Specification Sheet

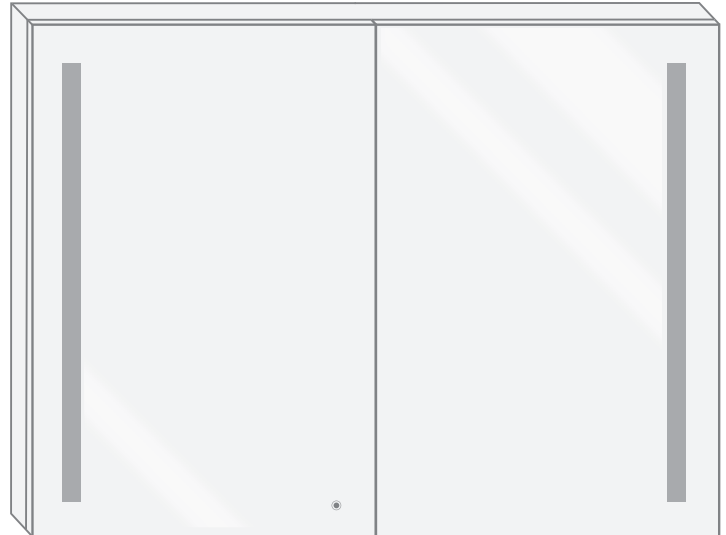


Features

- Dimmable LED task lighting
- Integrated touch sensor control with memory
- Energy efficient LED lighting 6000K
- 3200 Lumens
- CRI 90+
- Integrated Defogger

Construction

- Quality polished edge mirror
- Single phase wire installation
- 5 MM Silver Backed Copper Free
- Installation Either Surface Mount (Side Mirror Trim Panels included) or Recessed
- Includes installation hardware



Codes/Standards Applicable

- Conforms to UL Std. 962
- Cert. to CSA Std. C22.2 No.250.0-08
- ETL Intertek 5004931

Electrical System

- 120Vac, 60Hz, 45.1W
- Electric Current: 0.41A
- Wattage: 45.1W

Model

- ROLLS 4830
- Included models in this configuration:
Cabinet 1 = 4830

Outlet

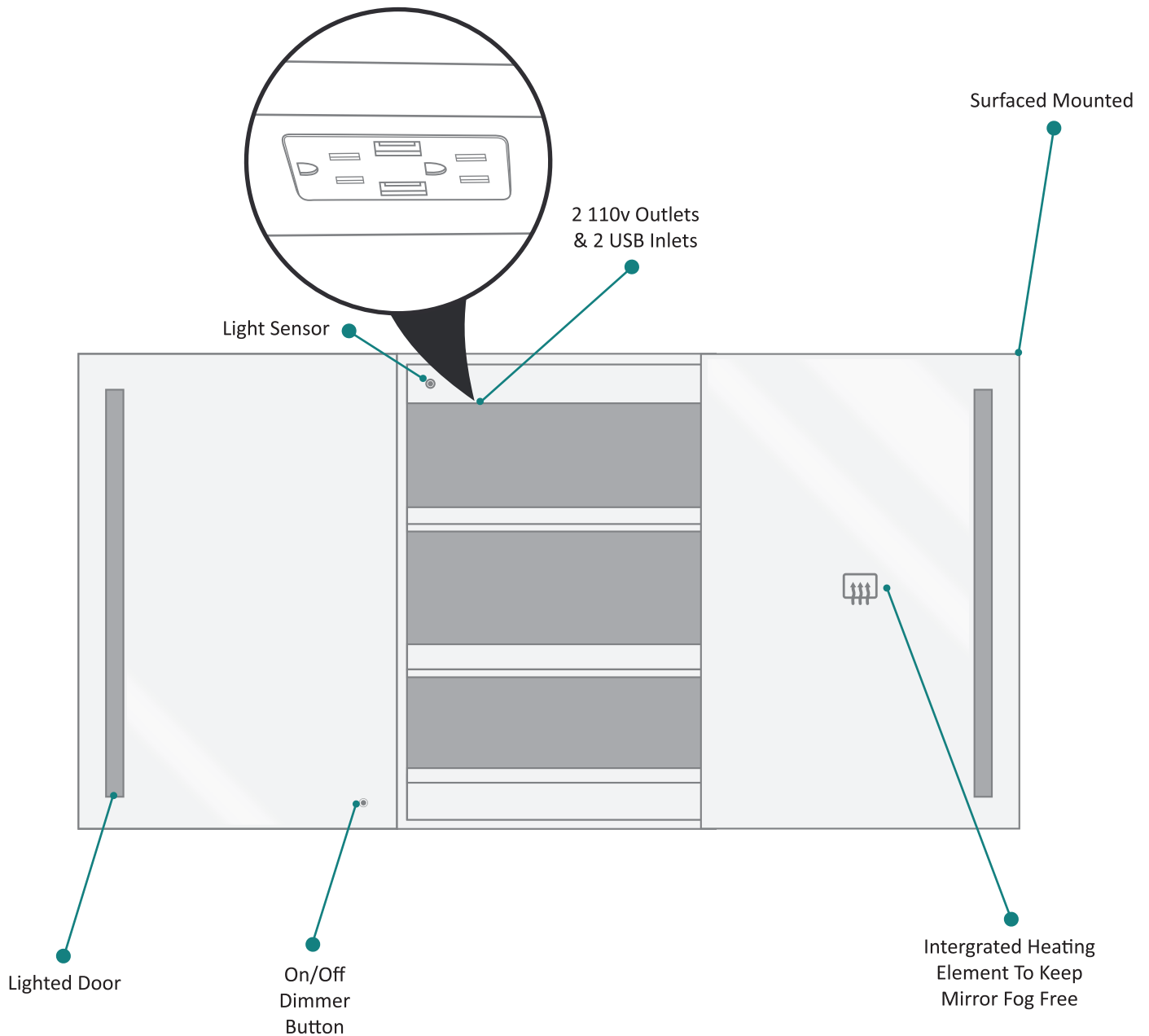
- Performance Requirements: Contains the required Supervisory Circuit with the Auto-Monitoring Function as noted by UL 1310
- Input Voltage: Min 112Vac, Nom 125Vac, Max 137Vac
- Frequency: 60Hz
- Front Receptacle Current: 102-132VAC Nominal 15A
- USB Output Current: 5VDC Nominal 4A

CABINET CONFIGURATION

- Included models in this configuration:
Cabinet 1 = 4830

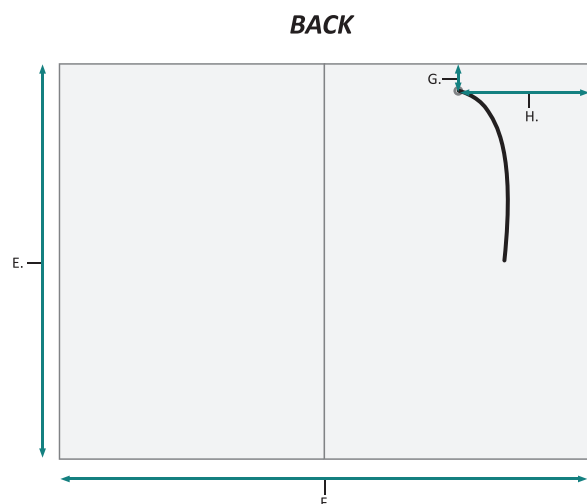
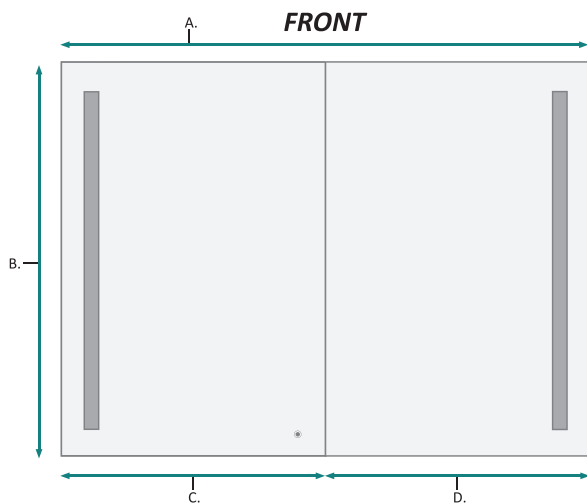
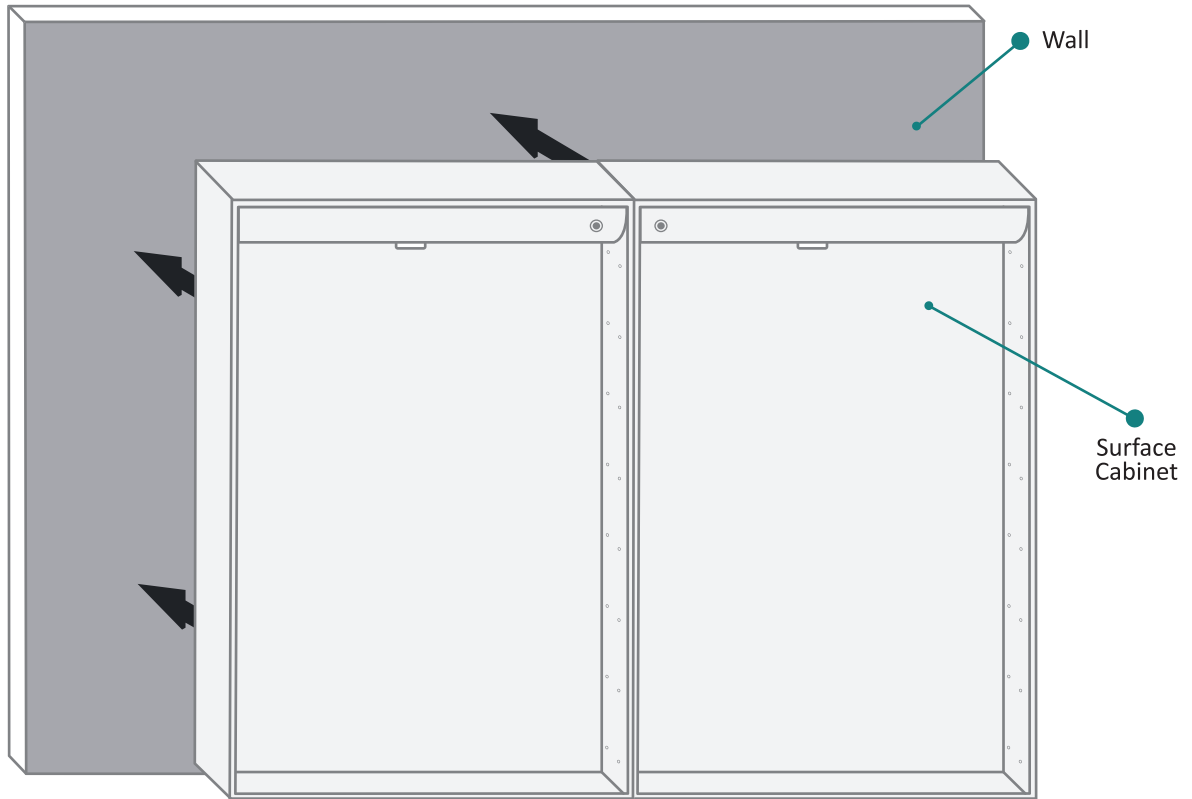


ROLLS4830 Wall Mirror - Specification Sheet



ROLLS4830 Wall Mirror - Specification Sheet

SURFACE MOUNT

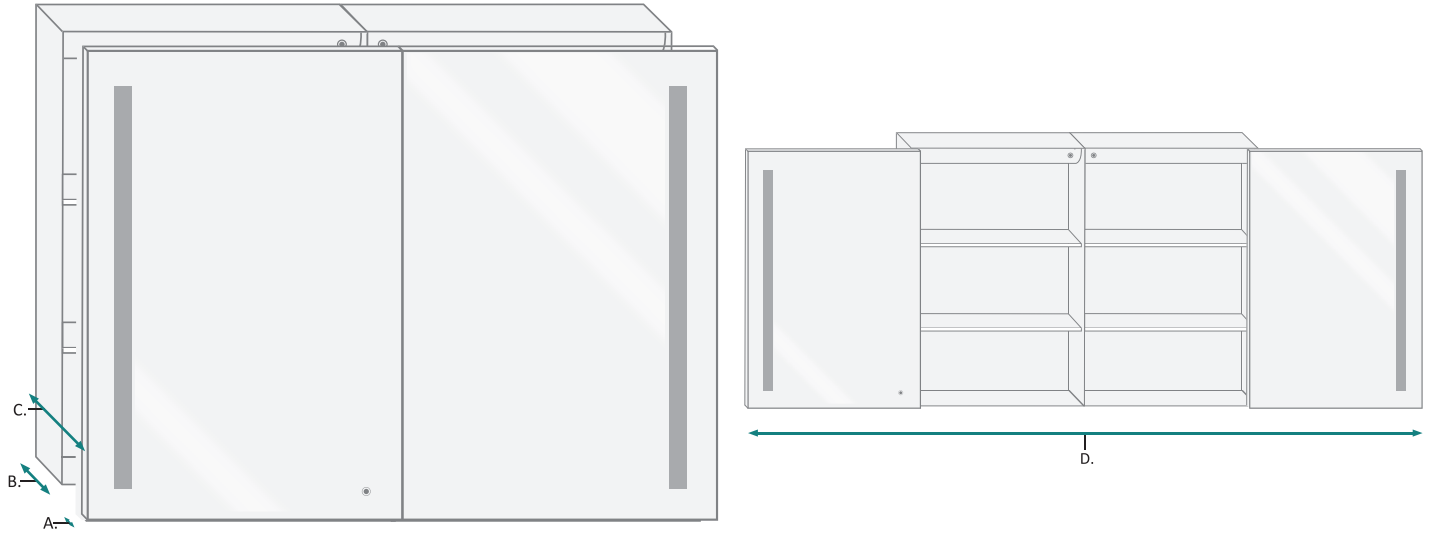


FRONT & BACK

MODEL	A	B	C	D	E	F	G	H
ROLLS4830	48-1/8	30	23-7/8	23-7/8	30	48-1/8	1-1/8	10

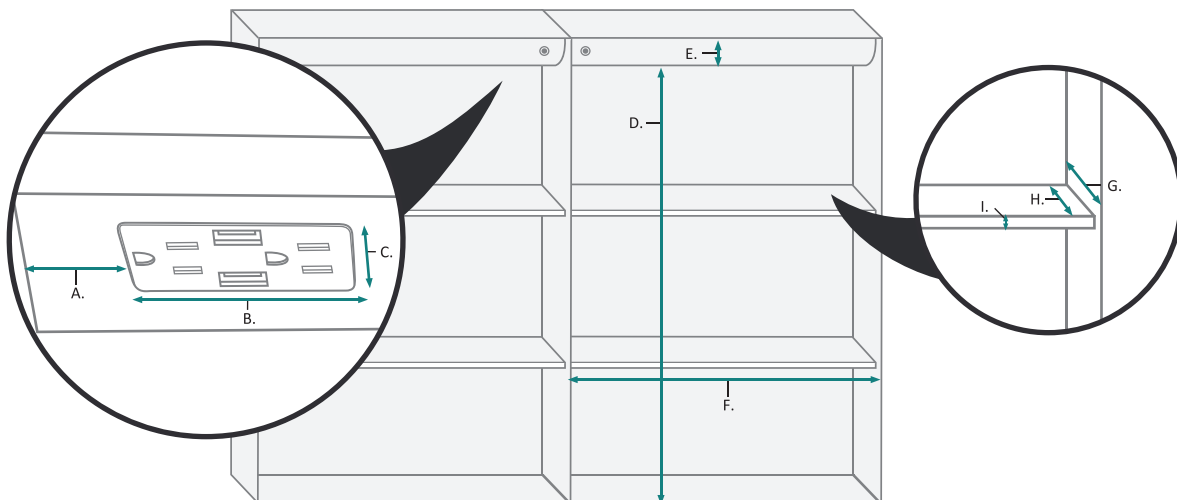
These measurements are for reference, for best results we suggest you measure actual product as small variations in size are possible

ROLLS4830 Wall Mirror - Specification Sheet



DOOR & CABINET

MODEL	A	B	C	D
ROLLS4830	7/8	5	6-1/8	82-1/2



INTERIOR CABINET

MODEL	A	B	C	D	E	F	G	H	I
ROLLS4830	3-3/4	5-5/8	1-1/4	27-3/7	2-1/2	23	4-1/2	4-1/4	3/8

These measurements are for reference, for best results we suggest you measure actual product as small variations in size are possible