

GNG-4681

*Complement
your purchase
with these
fine accessories
also from
GINGER®:*

*Towel Bars
Towel Rings
Toilet Tissue Holders
Hooks
Soap Dishes
Tumbler Holders
Toiletry Shelves
Grab Bars
Mirrors
Lights
Bud Vases
Hotel Shelves
Shower Curtain Rods
Soap & Bottle Baskets
Cabinet Hardware*

KUBIC LIGHT

INSTALLATION
INSTRUCTIONS

for
4681, 4681L
Single Light

GINGER
Luxury For Your Lifestyle™

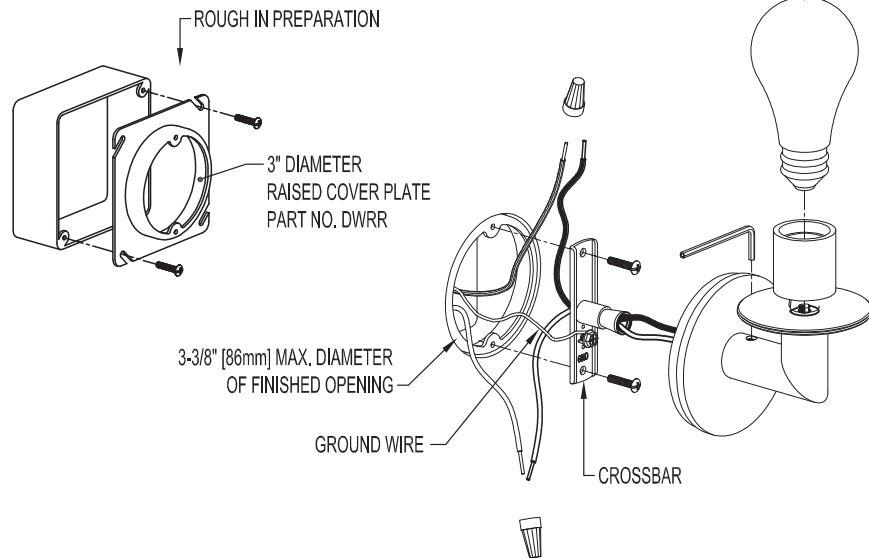
2001 CARNEGIE AVE, SANTA ANA CA 92705
(949) 417-5207
WWW.GINGERCO.COM

REV -

GINGER

KUBIC LIGHT

4681, 4681L

ADA COMPLIANT 

INSTALLATION INSTRUCTIONS:

THESE LIGHTS SHOULD BE INSTALLED BY A LICENSED ELECTRICAL CONTRACTOR.

POWER REQUIREMENTS: 100-120 VOLTS

SAFETY: TO PREVENT ELECTRICAL SHOCK, BE SURE THAT THE POWER IS OFF BEFORE STARTING INSTALLATION.

NOTES TO INSTALLER:

A. THE BACKPLATE OF THIS FIXTURE WILL COVER A HOLE WITH A MAXIMUM DIAMETER OF 3 3/8" (86 mm). THE CROSSBAR IS DESIGNED TO MOUNT DIRECTLY ONTO A 3" DIAMETER ROUND RAISED COVER PLATE (ALSO CALLED A ROUND PLASTER RING OR A ROUND RAISED MUD RING.) THE COVER PLATE SHOULD NOT PROTRUDE FROM THE FINISHED WALL SURFACE.

B. THIS LIGHT MAY BE INSTALLED INVERTED IF PREFERRED.

INSTALLATION:

1. INSTALL CROSSBAR ONTO RAISED COVER PLATE.
2. CONNECT THE HOUSE GROUND WIRE TO THE CROSSBAR WITH THE ATTACHED GREEN GROUND SCREW.
3. FEED THE LIGHT FIXTURE WIRES THROUGH THE SPINDLE ON THE CROSSBAR.
4. CONNECT THE WHITE WIRES OF THE FIXTURE TO THE HOUSE NEUTRAL (WHITE) WIRE WITH A WIRENUT.
5. CONNECT THE BLACK WIRES OF THE FIXTURE TO THE HOUSE HOT (BLACK) WIRE WITH A WIRENUT.
6. SLIDE THE FIXTURE OVER THE SPINDLE OF THE CROSSBAR UNTIL THE BACKPLATE IS FLUSH AGAINST THE WALL. TIGHTEN THE SETSCREW WITH THE PROVIDED WRENCH.
7. INSTALL LIGHT BULBS.
8. SCREW SHADES ONTO THE FIXTURE. DO NOT OVERTIGHTEN.

GINGER®