



California Faucets®

Rincon Bay™

WALL LAVATORY

TO-V4502X-7/9

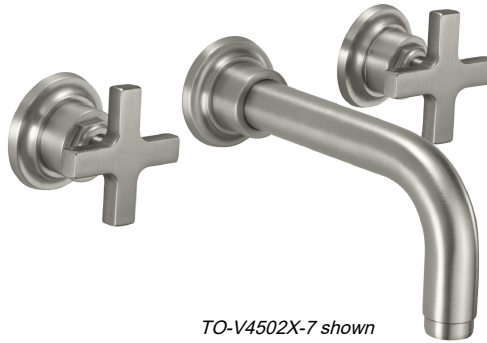
Features

- Over 28 finishes including 13 PVD finishes
- All brass construction
- 1.2 gpm (4.5 L/min) max flow rate
- Rough valve (VL-R) sold separately

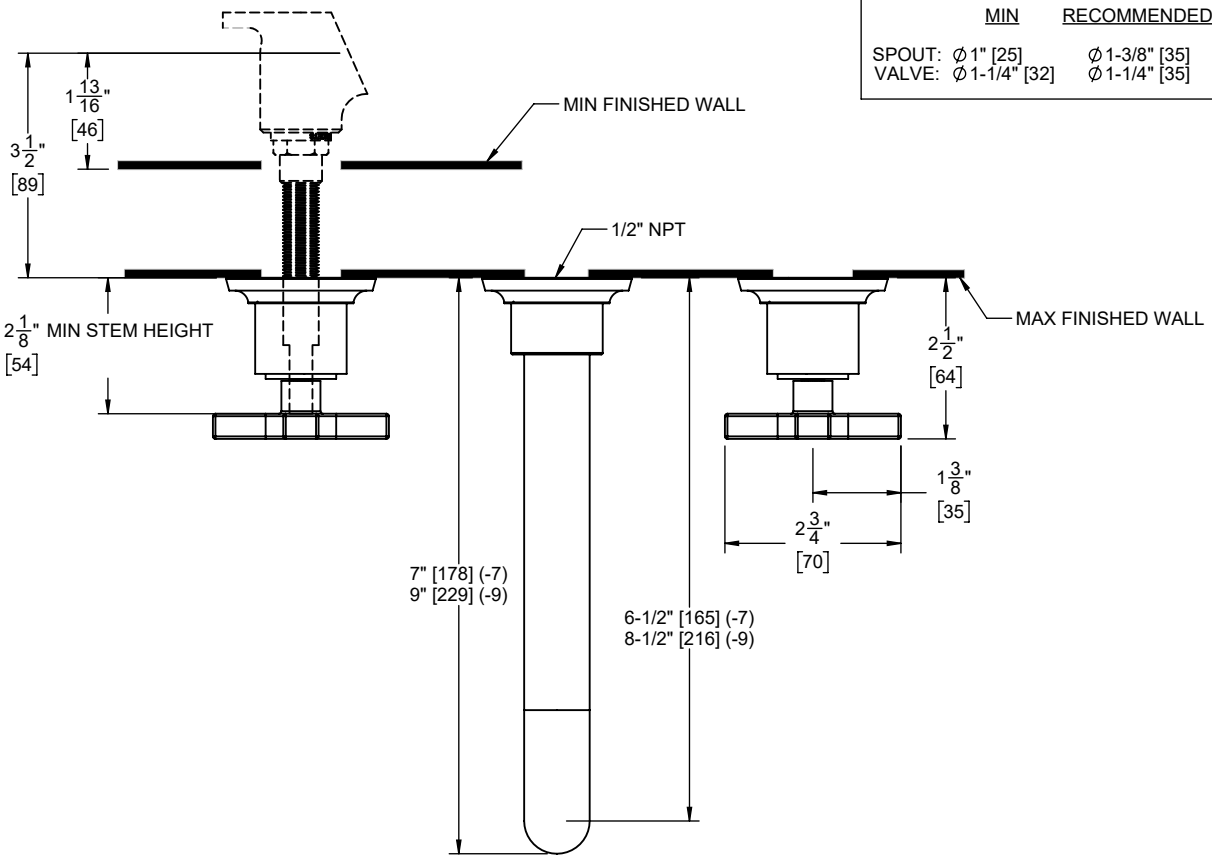
Codes/Standards

Product meets or exceeds the following:

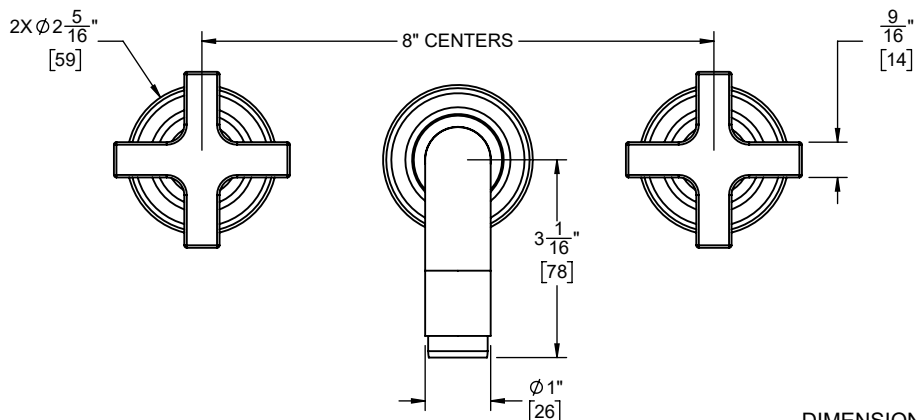
- ASME A112.18.1/CSA B125.1
- NSF/ANSI 61 & NSF/ANSI 372
- CEC & DOE
- Commonwealth of MA
- EPA WaterSense High Efficiency Lavatory



TO-V4502X-7 shown



THROUGH-HOLE SPECIFICATIONS		
MIN	RECOMMENDED	MAX
SPOUT: Ø 1" [25]	Ø 1-3/8" [35]	Ø 1-5/8" [41]
VALVE: Ø 1-1/4" [32]	Ø 1-1/4" [35]	Ø 1-5/8" [41]



SPECIFICATIONS SUBJECT TO CHANGE WITHOUT NOTICE

DIMENSIONS SHOWN TO NEAREST 1/16"
[DIMENSIONS SHOWN TO NEAREST 1mm]